

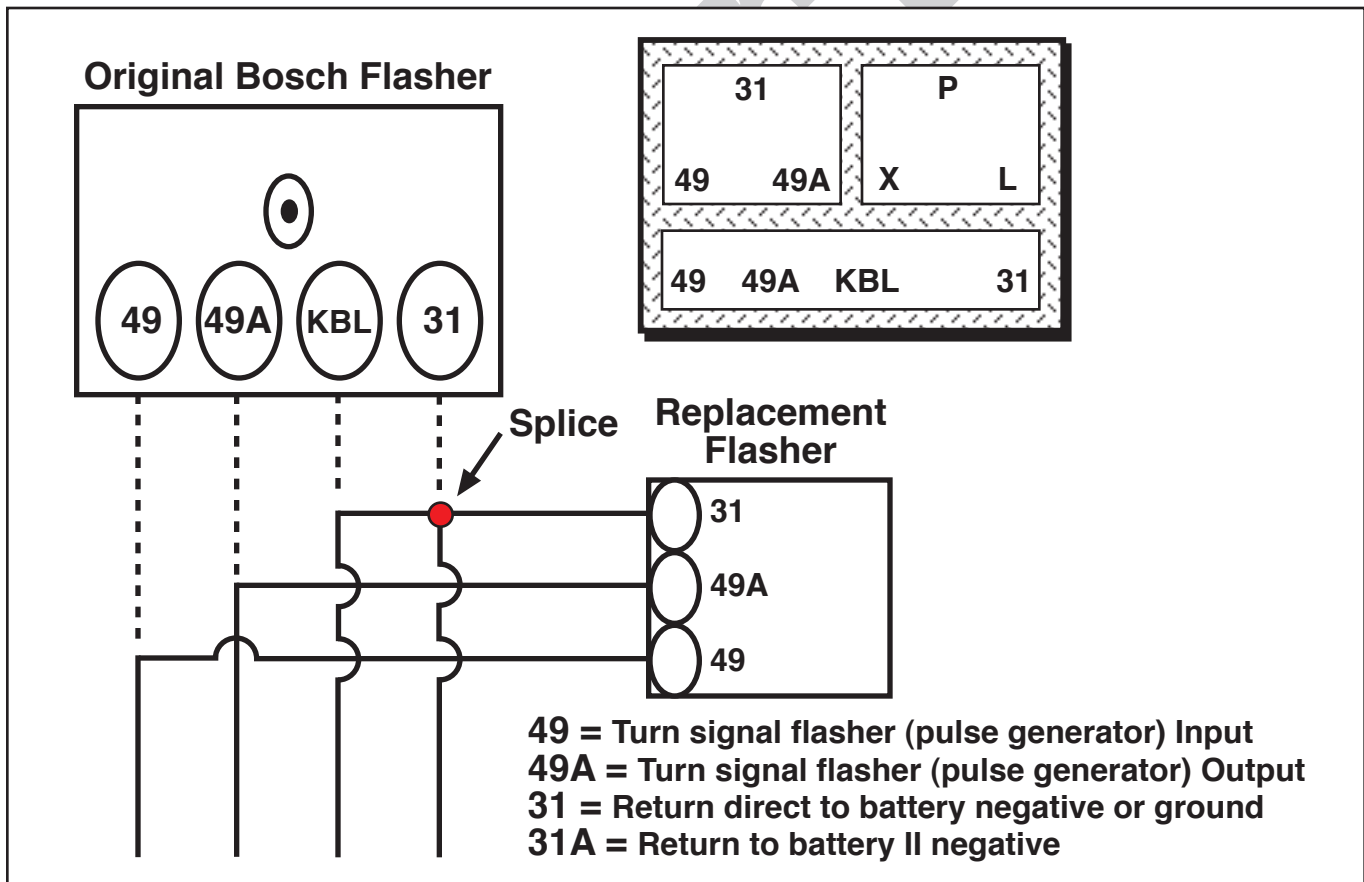
# centerline products

## Turn Signal Flasher Modification

Alfa Romeo 1969-1981 (Approximately)

Alfa used a Bosch turn signal/hazard flasher 4-terminal relay on 105/115 chassis cars during the 1970's. This relay is not available, and last time it was, prices were pushing \$80.00. When the Bosch unit fails, a conventional 3-terminal barrel style flasher can replace it, available most anywhere for around \$5.00.

The Bosch flasher is held underneath the dash by a screw through the center. The four terminals are marked: 49, 49A, 31, and KBL. The popular 3-terminal flasher will have a 49, 49A, and 31 (no KBL). Snip the wire going to the KBL and splice it together with the wire going to terminal 31. Plug the wires onto their respective terminals. On some flashers, the terminals are marked X, L, and P. The X terminal corresponds to the 49, L to 49A, and the P to 31. See attached drawing.



**CENTERLINE PRODUCTS**  
1220 COMMERCE CT., LAFAYETTE, CO 80026  
PH: 303.447.0239 FAX: 303.447.0257  
[WWW.CENTERLINEALFA.COM](http://WWW.CENTERLINEALFA.COM)